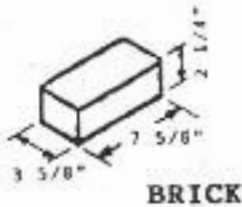




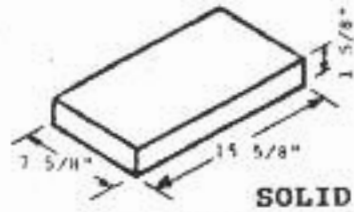
Rockford Cement Products

815-965-0537 • 315 Peoples Avenue, Rockford, Illinois 61104

www.rockfordcementproducts.com

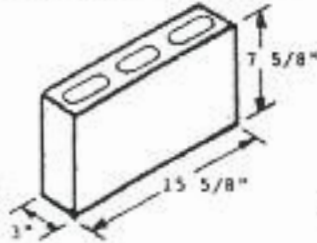


BRICK

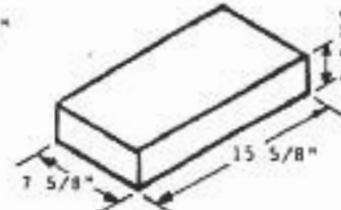


SOLID

3" Block

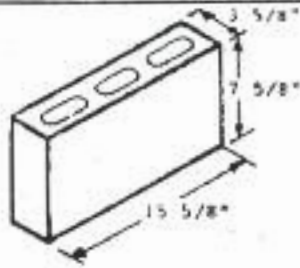


3"PLAIN

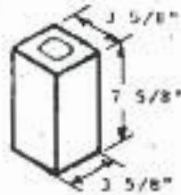


SOLID

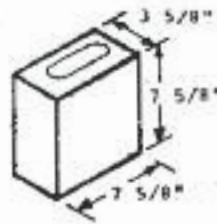
4" Block



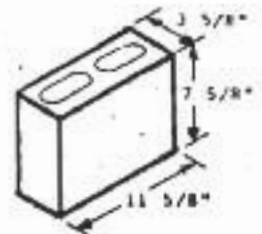
DOUBLE CORNER



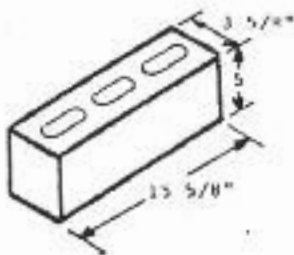
QUARTER LENGHT



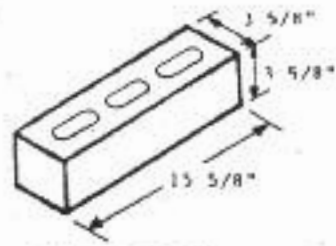
HALF LENGHT



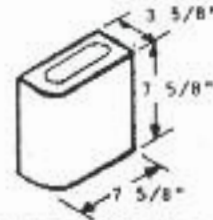
THREE QUARTER LENGHT



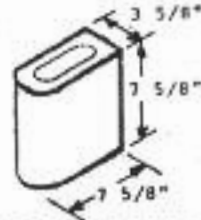
STARTER



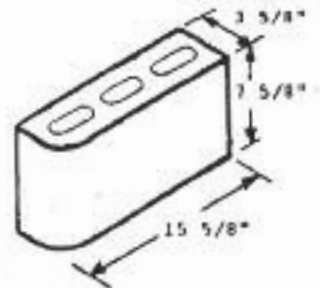
HALF HIGH STRETCHER



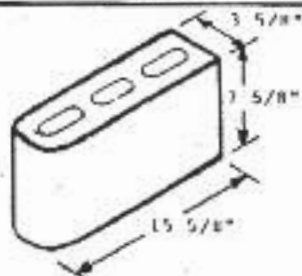
HALF SINGLE BULL NOSE



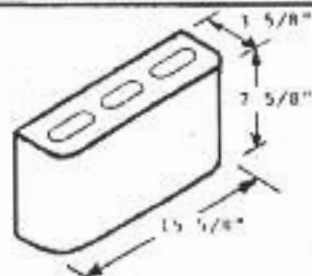
HALF DOUBLE BULL NOSE



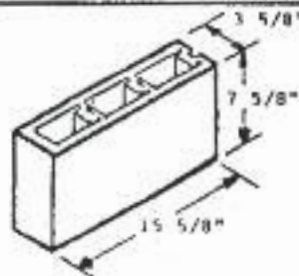
SINGLE BULL NOSE



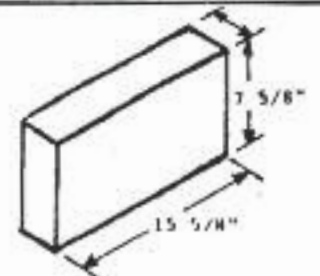
DOUBLE BULL NOSE



SINGLE BULL NOSE BOTH ENDS



KNOCK OUT



SOLID

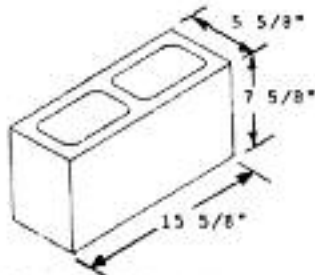


Rockford Cement Products

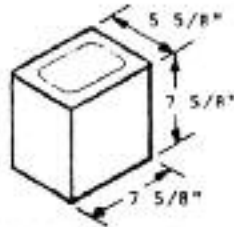
815-965-0537 • 315 Peoples Avenue, Rockford, Illinois 61104

www.rockfordcementproducts.com

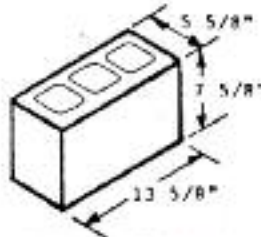
6" Block



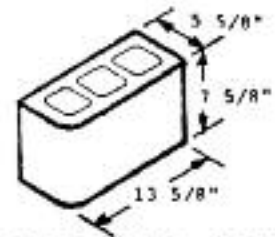
DOUBLE CORNER



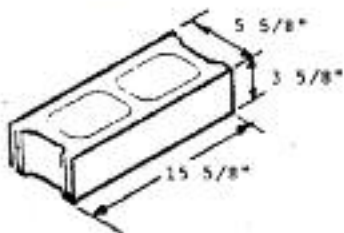
HALF LENGTH



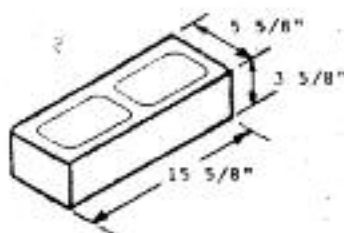
RETURN CORNER



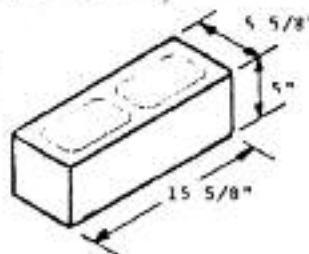
**SINGLE BULL NOSE
THREE QUARTER**



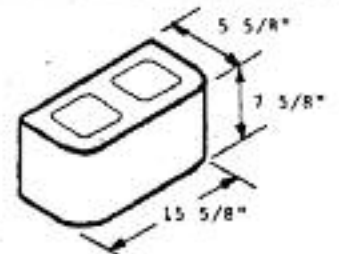
HALF HIGH



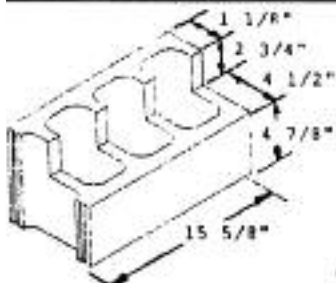
HALF HIGH



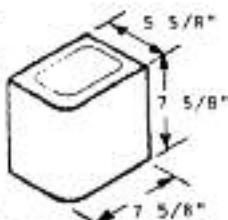
STARTER



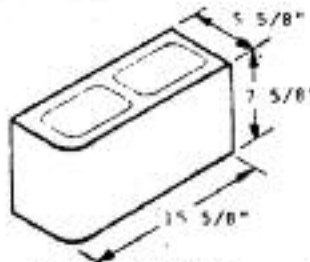
**SINGLE BULL NOSE
1 EACH END**



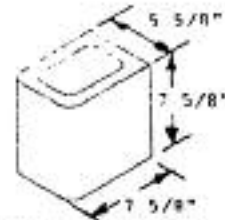
HEADER



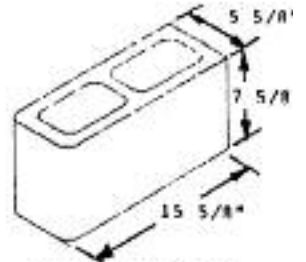
**HALF DOUBLE
BULL NOSE**



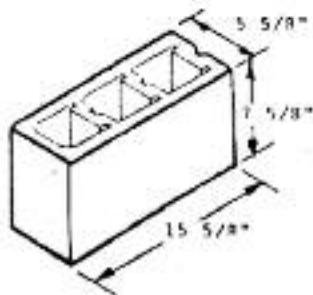
**SINGLE BULL
NOSE**



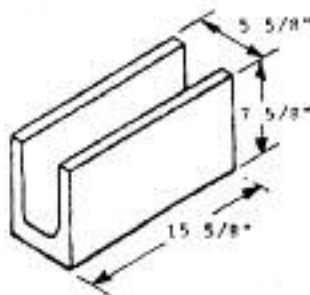
**HALF DOUBLE
BULL NOSE**



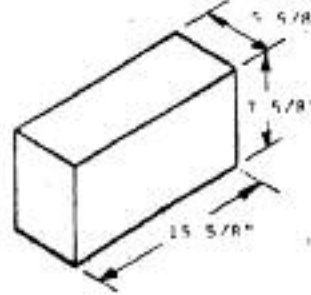
**DOUBLE BULL
NOSE**



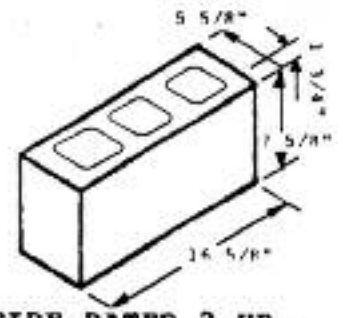
KNOCK OUT



BOND BEAM



SOLID



**FIRE RATED 2 HR.
1 3/4" FACE SHELL**

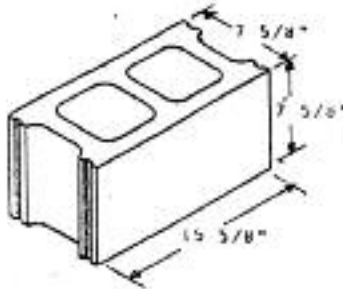


Rockford Cement Products

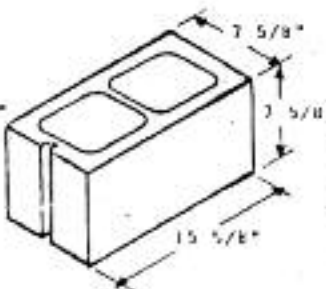
815-965-0537 • 315 Peoples Avenue, Rockford, Illinois 61104

www.rockfordcementproducts.com

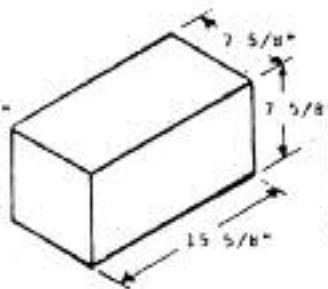
8" Block



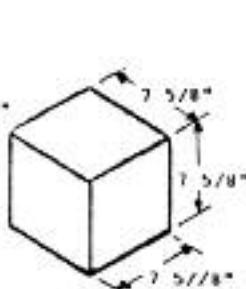
PLAIN



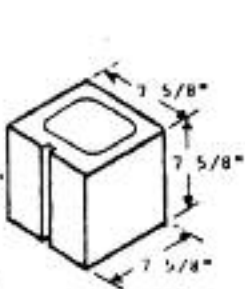
CORNER SASH



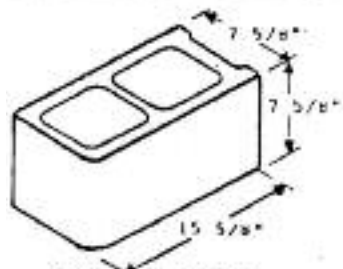
SOLID



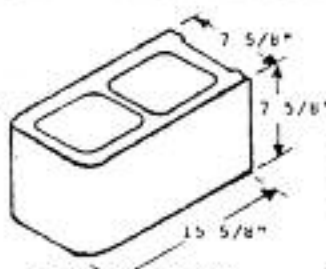
SOLID



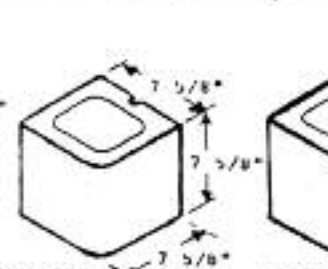
HALF SASH CORNER



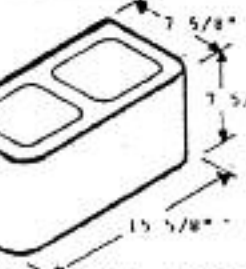
SINGLE BULL NOSE



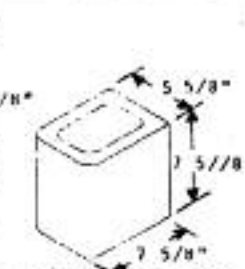
DOUBLE BULL NOSE



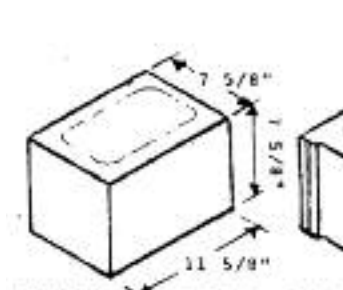
HALF SINGLE BULL NOSE



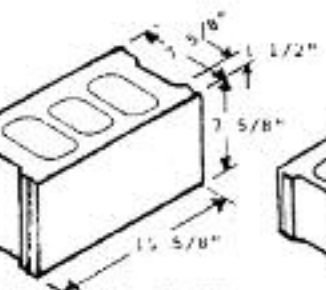
SINGLE BULL NOSE 1 EACH END



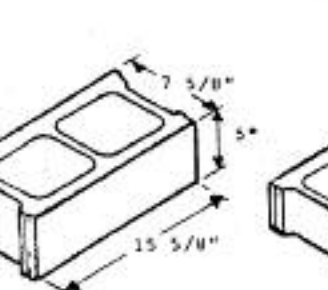
HALF DOUBLE BULL NOSE



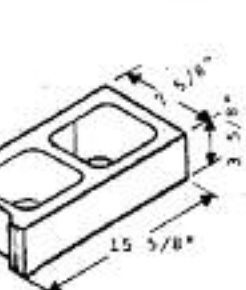
THREE QUARTER FIRE RATED 3 HR. LENGTH



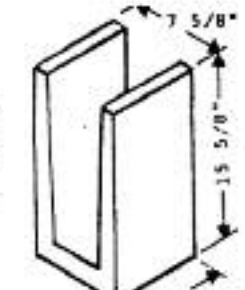
1 1/2" FACE SHELL



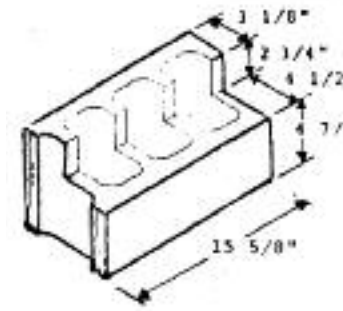
STARTER



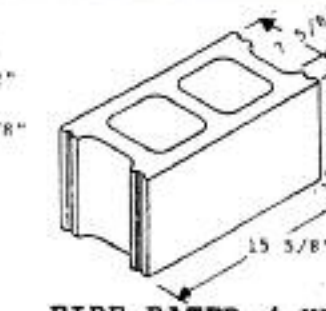
HALF LENGTH



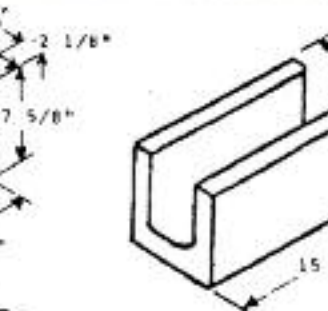
HI LINTEL



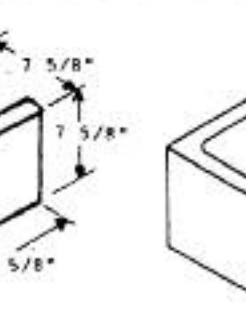
HEADER



FIRE RATED 4 HR. 2 1/8" FACE SHELL



BOND BEAM



PILASTER

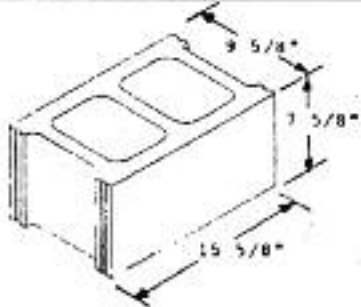


Rockford Cement Products

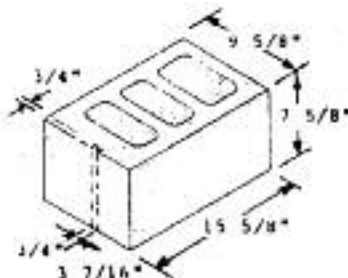
815-965-0537 • 315 Peoples Avenue, Rockford, Illinois 61104

www.rockfordcementproducts.com

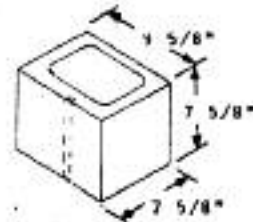
10" Block



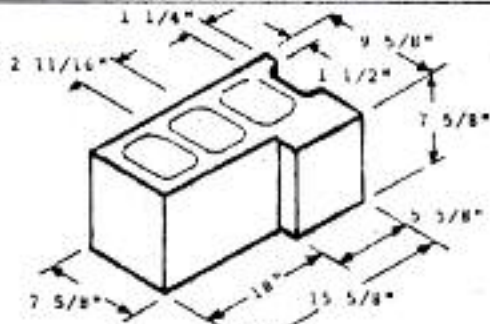
PLAIN



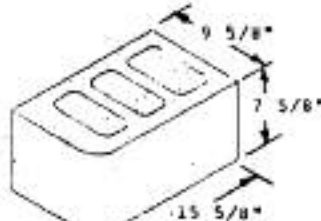
CORNER SASH



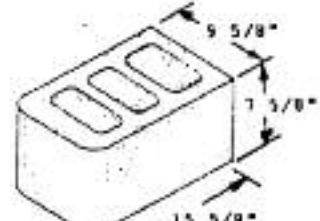
**HALF BLOCK DOUBLE
FLUSH OR SASH**



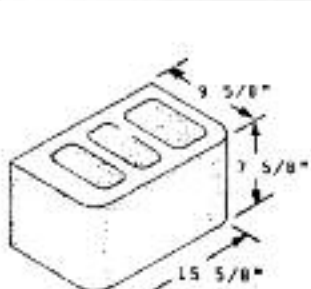
RETURN CORNER



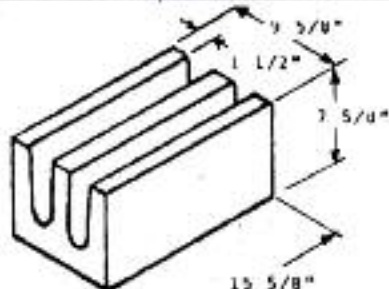
**SINGLE BULL
NOSE**



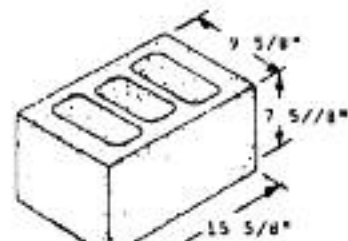
**DOUBLE BULL
NOSE**



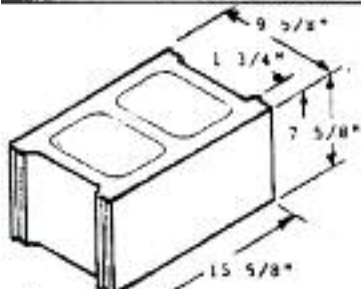
**SINGLE BULL NOSE
1 EACH END**



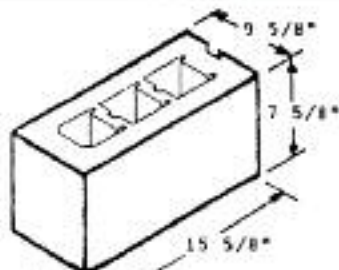
BOND BEAM



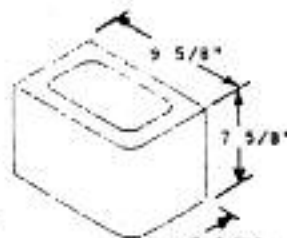
PILASTER



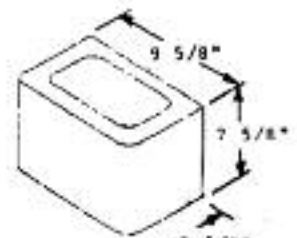
**FIRE RATED 4 HR.
1 3/4" FACE SHELL**



KNOCK OUT



**HALF SINGLE
BULL NOSE**



**HALF DOUBLE
BULL NOSE**

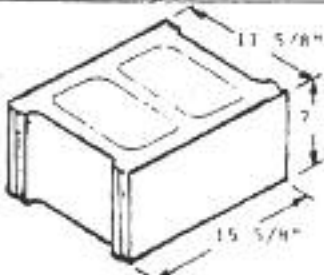


Rockford Cement Products

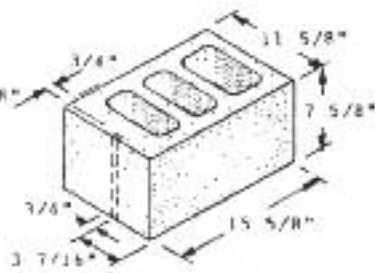
815-965-0537 • 315 Peoples Avenue, Rockford, Illinois 61104

www.rockfordcementproducts.com

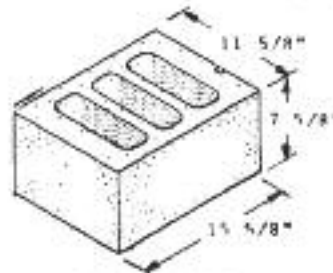
12" Block



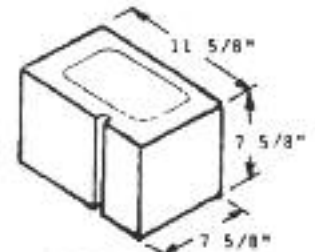
PLAIN



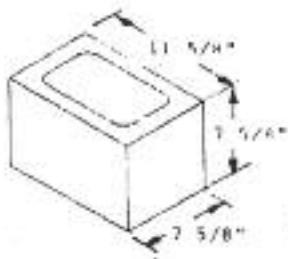
CORNER SASH



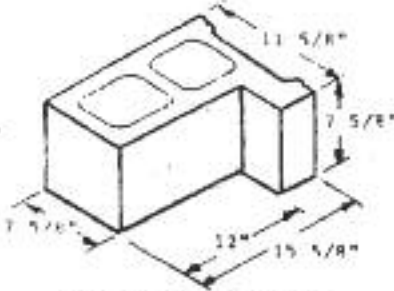
PILASTER



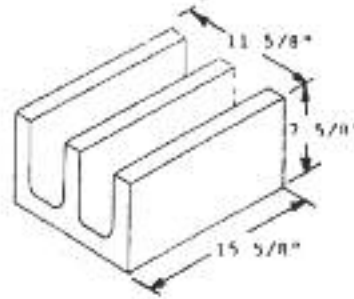
HALF LENGTH



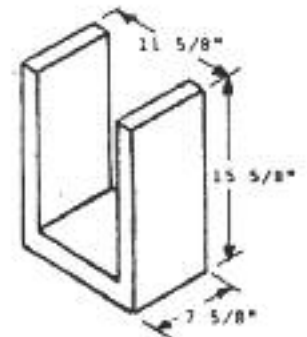
HALF LENGTH



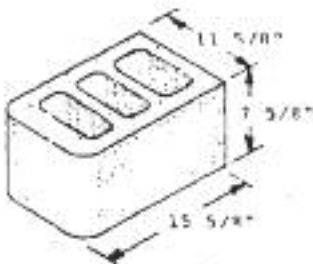
RETURN CORNER



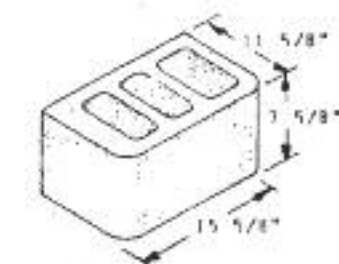
BOND BEAM



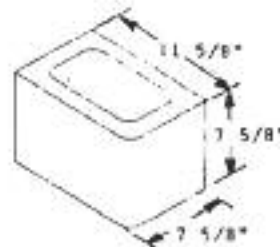
HI LINTEL



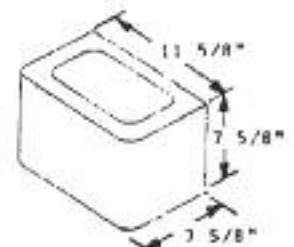
DOUBLE BULL NOSE



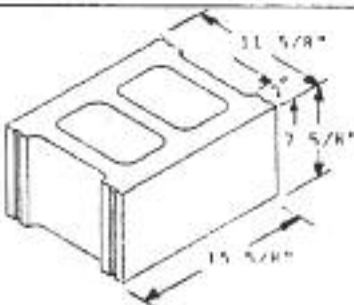
**SINGLE BULL NOSE
1 EACH END**



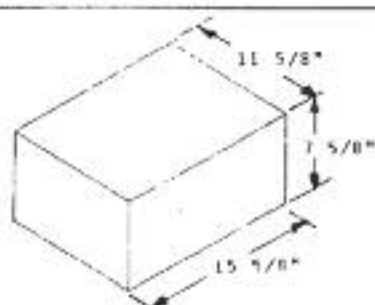
**HALF SINGLE
BULL NOSE**



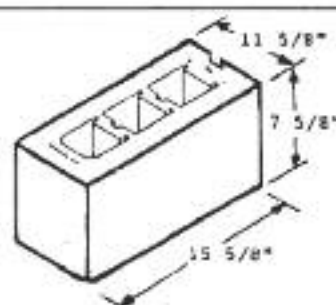
**HALF DOUBLE
BULL NOSE**



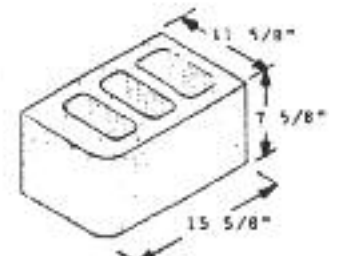
FIRE RATED 4 HR.



SOLID



KNOCK OUT



SINGLE BULL NOSE



Rockford Cement Products

815-965-0537 • 315 Peoples Avenue, Rockford, Illinois 61104

www.rockfordcementproducts.com

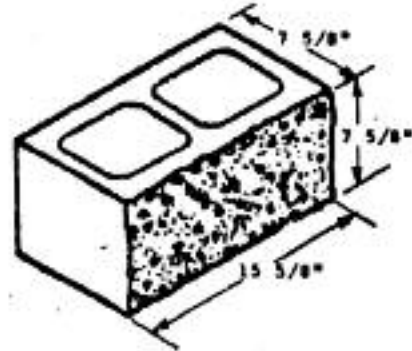
Architectural Block

Split Face Block

Character in the face of the block gives texture to the design.
Cored block for concealment of insulation.
Natural or colored for through wall construction or veneering.

Available in five sizes:

- (1) 4" x 8" x 16"
- (2) 6" x 8" x 16"
- (3) 8" x 8" x 16"
- (4) 10" x 8" x 16"
- (5) 12" x 8" x 16"

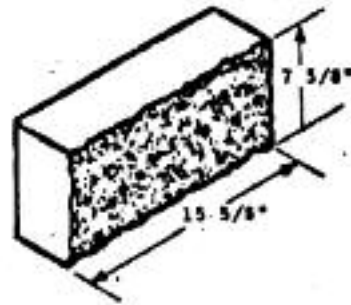


Split Face Solid Block

A solid block with a split face for character, texture, and strength.
Natural or color for construction.

Available in three sizes:

- (1) 3" x 8" x 16"
- (2) 4" x 8" x 16"
- (3) 6" x 8" x 16"



Split Face Solid Veneer

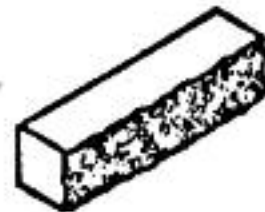
A solid veneer with a split face for character, texture, and design.
Natural or color for construction.

Available in three sizes:

- (1) 2" x 4" x 16" / 4 1/2 pieces = 1 sq. ft.
- (2) 3" x 4" x 16" / 3 pieces = 1 sq. ft.
- (3) 4" x 4" x 16" / 2 1/2 pieces = 1 sq. ft.

* NOTE

Signed order is required. Made to order. Prices on request.





Rockford Cement Products

815-965-0537 • 315 Peoples Avenue, Rockford, Illinois 61104

www.rockfordcementproducts.com

Architectural Block

Corrugated Fluted Block

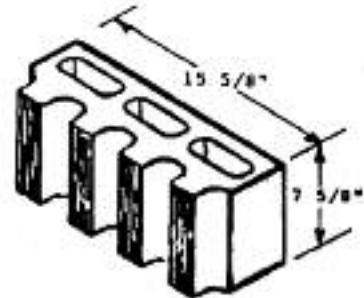
A corrugated fluted face for less water penetration and vertical design.

Cored block for concealment of insulation.

Natural or colors for through wall construction or veneering.

Available in three sizes:

- (1) 4 + 2 over all size 6"
- (2) 8 + 2 over all size 18"
- (3) 18 + 2 over all size 12"



Split Faced Fluted Block

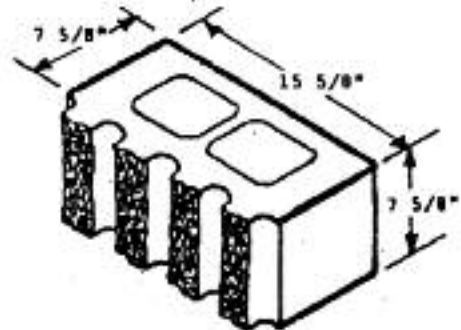
A split face for design and texture.

Cored block for concealment of insulation.

Natural or colors for through wall construction or veneering.

Available in three sizes:

- (1) 4 + 2 over all size 6"
- (2) 8 + 2 over all size 18"
- (3) 18 + 2 over all size 12"



8 Ribbed Split Faced Flute

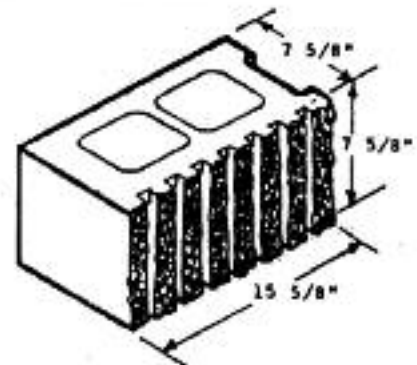
Split faced with "8" ribs for vertical mass design.

Cored for concealment of insulation.

Natural or colors for through wall construction or veneering.

Available in four sizes:

- (1) 6" x 8" x 16"
- (2) 8" x 8" x 16"
- (3) 18" x 8" x 16"
- (4) 12" x 8" x 16"



Corrugated Face Block

A corrugated for a unique vertical design with less moisture penetration.

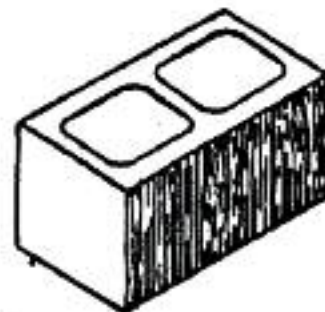
Cored block for concealment of insulation.

Natural or colors for construction.

Available in all sizes of block.

* NOTE

Signed order is required. Made to order. Prices on request.





Rockford Cement Products

815-965-0537 • 315 Peoples Avenue, Rockford, Illinois 61104

www.rockfordcementproducts.com

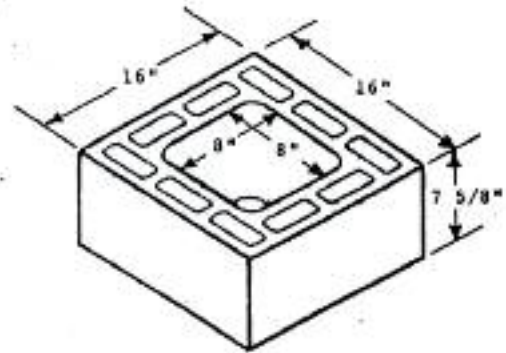
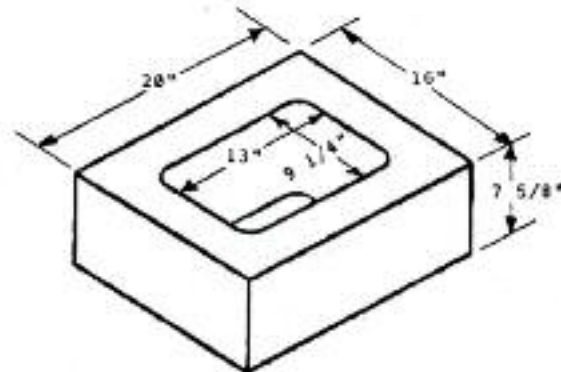
Chimney Blocks

Chimney Block

A lightweight block for speed and ease in installation.
Available in two sizes:

16" x 16" with flue sizes of 8" x 8"

16" x 28" with flue sizes of 8" x 12"

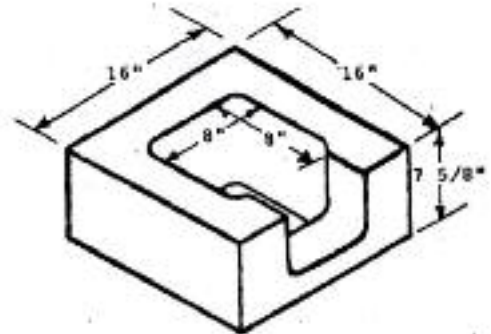


Clean Out Block

A lightweight block for speed and ease of installation
with an opening for a clean out door.
It takes two blocks to complete the opening for the door.
Available in two sizes of block:

16" x 16" block with 8" x 8" flue and 8" clean out

16" x 28" block with 8" x 12" flue and 8" clean out



Thimble Block

A lightweight block for speed and ease of installation
with a round opening for pipe.
It takes two blocks to complete the hole with two sizes
of holes.

Available in two sizes of blocks:

16" x 16" block with 8" x 8" flue and 6" & 8" thimble hole

16" x 28" block with 8" x 8" flue and 8" thimble hole

